

Meditool



HIGH PRESSURE WASHER INSTRUCTION MANUAL



- 1.Empty air before use
- 2.Do not suggest self priming.

GENERAL SAFETY RULES

- WARNING: This machine has been designed for use with the cleaning agent supplied or recommended by the manufacturer. The use of other cleaning agents or Chemicals may adversely affect the safety of the machine.
- WARNING: Do not use the machine within range of persons unless they wear protective clothing.
- WARNING: Risk of explosion-Do not spray flammable liquids.
- WARNING: High pressure cleaners shall not be used by children or untrained personnel.
- WARNING: Water that has flown through backflow preventers is considered to be non-potable.
- WARNING: Removing the plug from the socket-outlet during cleaning or maintenance and when replacing parts or converting the machine to another function:
- WARNING: Inadequate extension cords can be dangerous.
- WARNING: Ensure that any exhaust emissions are not in the vicinity of air intakes.
- WARNING: Do not use the appliance without reading the instruction sheet.
- WARNING: The electrical supply connection shall be made by a qualified person and comply with IEC 60364-1. The electric supply to this appliance should include either a residual current device that will interrupt the supply if the leakage current to earth exceeds 30 mA for 30 ms or a device that will prove the earth circuit.
- WARNING: Keep operating area clear of all persons
- WARNING: High pressure hose, fittings and couplings are important for the safety of the appliance, Use only hoses, fittings and couplings recommended by the manufacturer.
- WARNING: Do not use the appliance if a supply cord or important parts of the appliance are damaged. e.g. safety devices, high pressure hose, trigger gun.
- WARNING: If an extension cord is used, the plug and socket must be of watertight construction.
- WARNING: Improper extension cords can be dangerous.
- WARNING: High pressure jets can be dangerous if subject to misuse. The jet must not be directed at persons, live electrical equipment or the appliance itself.
- WARNING: Do not direct the jet against yourself or others in order to clean clothes or foot-wear.
- WARNING: Disconnect from the electrical power supply before carrying out user maintenance.
- WARNING: To ensure appliance safety, use only original spare parts from the manufacturer or approved by the manufacturer.
- WARNING: Do not leave the appliance unattended while the machine is running.
- WARNING: Do not use cleaning agents or chemicals in the appliance.
- WARNING: Turn off the appliance if it is in the event of accident (e.g. contact with detergents: rinse With an abundance of clean water) or breakdown to prevent unsafe situations.
- WARNING: When the appliance is moving and installing, the appliance must be in flat.

ADDITIONAL SAFETY INSTRUCTIONS

In order to safely use the cleaner, make sure that you have read all of these instructions and checked the machine before operation. Have a try before the official use.

The machine, hose and plug must be checked before the operation. Defective parts should be repaired by a specialist.

Do not direct the jet at the machine, socket and wire-connection.

Do not direct the jet at person and animals.

Check the hose connection before operation, the leaky and defective parts shall be repaired or replaced immediately.

Do not touch the electrical plug or any wall socket with wet hands.

Use the handle grip to transport the machine, it's forbidden to drag the power cord to move the appliance.

When you unplug, grasp the plug not the cord.

Only the power cord which with rubber insulation enclosure or protection enclosure can be use.

Keep the plug and hose in dry place.

To prevent the maximum operating pressure, the outlet hose should be at least 3M long.

Do not use the pressure cleaner in inflammable environment.

Take care of the kickback force and the sudden torque on the spray assembly when opening the trigger gun. Always use two hands to grip the gun firmly before pressing the trigger.

Only press the switch after the high pressure hose is tightly fixed.

Always wear protective clothing, glove and safety glasses. It's forbidden to use the machine bare-footed or when wearing a sandal.

By operation keep the hand away from the water jet and hose.

Sometimes the reflected water is also dangerous.

Do not direct the water to fire or hot equipment. Hot particles and steam are dangerous.

Do not use the pressure washer with inflammable or toxic liquids, corrosive detergents, or any dangerous products.

Use only hand to squeeze the trigger, do not jam the trigger in the ON position.

Before disconnect the high pressure hose, turn off the machine first, then squeeze the trigger until there is no more pressure in the system.

Do not bend, twist or fold the hose.

Use only original spare parts supplied from manufacturer.

A fluctuating or high water pressure shows signal of defect or accumulation of the calcium in the hose. In this case turn off the machine immediately.

Do not run the cleaner without water. This will cause damage to it.

Before starting the machine, fully open the water supply tap. Be careful not to bend the hose.

When the machine hose or tube freeze in winter, do not use it. Before storing the water must be drained from the machine. Always store the pressure washer in a secure dry and frost protected place

Do not use the machine in a dirty place.

Put the machine on a flat surface.

The sea water is not suitable for using in this machine.

The appliance is not fit for long time industrial use.

This appliance is not intended for use by persons (including children) with reduced physical, sensory or capabilities, or lack of experience and knowledge, unless they have been given supervision or instruction concerning use of the appliance by a person responsible for their safety.

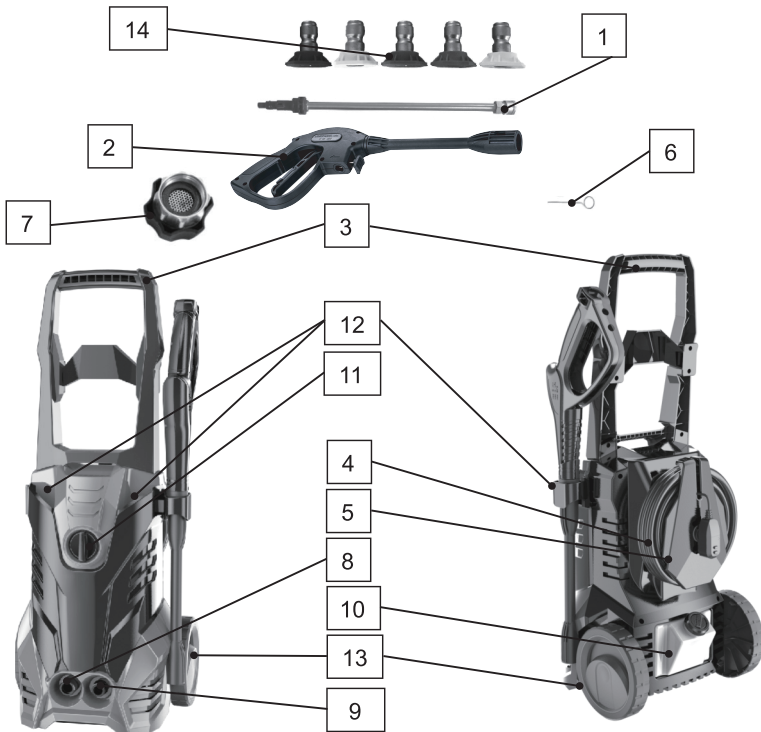
Children should be supervised to ensure that they do not play with the appliance.

The function of Safety valve: when the pressure of the pump exceeds the Preset valve, returns the excess fluid to the inlet system.

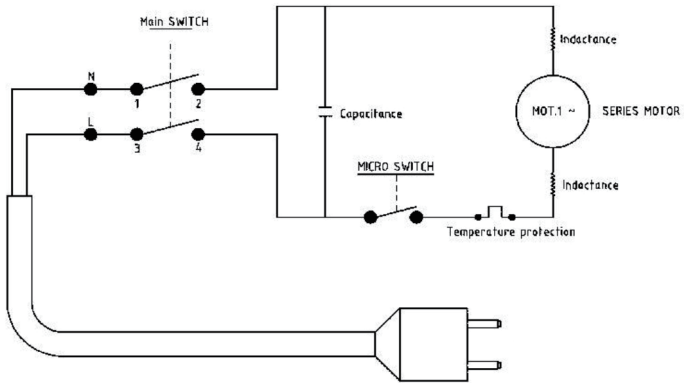
The function of pressure switch: When turn off a gun, pressure switch on the action, cut off the power supply for protection operations.

ACCESSORY

1. Lance	2. Gun stock
3. Handle	4. Cable
5. Cable stock	6. needle
7. Inlet filter	8. Inlet
9. Outlet	10. Soap bottle
11. Switch	12. Mesh stock
13. Wheel	14. Sprinkler head



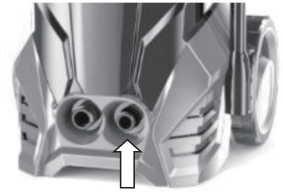
ELECTRICAL DIAGRAM



ASSEMBLY

High pressure hose connection

Connect the pressure hose to the machine's outlet, make sure it is connected firmly. **See picture 1**



outlet

Picture 1

Gun connection

Connect the gun lance(Fixed brush/turbo lance) to the gun stock. Turn the gun lance(Fixed brush/turbo lance) clock wise until it locked in position,Connect the hose to the thread of gun stock by spanner. Check that the seal ring is properly seated.**See Picture 2**



High pressure hose

Picture 2

Inlet hose connection

1.Connecting water hose to inlet, make sure it is connected firmly. Do not turn on the machine at this moment.

2.Turn on the tap,make sure the inlet water pressure keeps between 0,01Mpa and 0,3Mpa.

3.Pull the trigger till all the air is pushed out of machine and water flows from the gun. It means now pump is full of water.

OPERATION

Gun operation

Spray angle can be adjusted. The spray angle can be varied from straight to fan by turning the nozzle. See picture 4



Picture 4

High/Low Pressure Operation

The nozzle controls the washer pressure. Push the nozzle in the closed position for high pressure operation keeping at least 30cm away from work pieces.

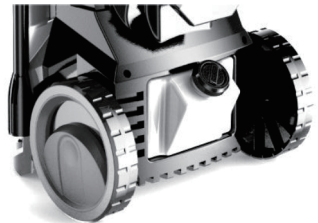
NOTE: No detergent will be dispensed in high pressure mode



LOW Pressure Operation(for dispensing cleaning detergent)

Pull out the nozzle for low pressure operation. This is the required position to dispense the detergent from the built in detergent reservoir. See picture 5

NOTE: Detergent need to be diluted to achieve the most effective cleaning. It is recommended to dilute the detergent in a suitable container to the required concentration before using



Picture 5

Switching off the appliance

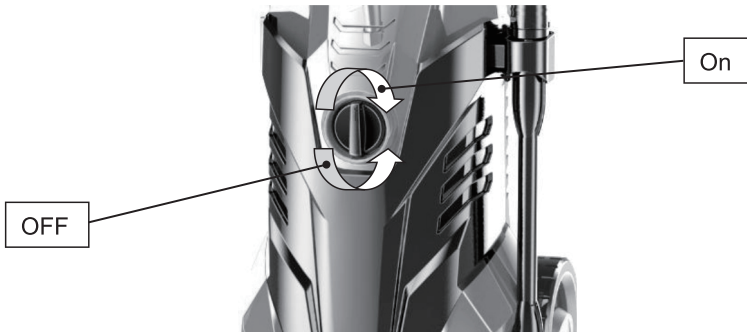
Turn off the water supply at the tap.

Press the trigger to reduce the pressure in the appliance.

Pull out the water inlet hose, then let the machine run a few seconds to drain the water of storing in the pump.

Switch off the appliance and disconnect the electric plug from the power socket

Detach the pressure hose. To drain the residual water, lift up the jet gun and squeeze the trigger. **See picture 6**



Picture 6

USER MAINTENANCE AND REPAIR

Disconnect from the electrical power supply before carrying out user maintenance.

Turn off the water supply at the tap and press the trigger to discharge the pressure.

Lubricate the fixing periodically using the lubrication oil.

When the water pressure is not consistent or too high, it shows the signal of defect hose or accumulation of the Calcium in the nozzle.

Turn off the machine immediately.

Use the nozzle cleaner to clean the hose and the water inlet filter.

Change the defective filter.

Make sure that the machine is clean and clean the components when necessary.

Follow the operation-instructions for the different parts. Pluggable ring-nuts are used to connect the gun, hose and other parts.

The seals of the ring-nut connections shall not be damaged

Turn the detergent tank and fasten it to the foam nozzle.

Connect the foam nozzle with the jet gun.

Turn on the machine. input the cleaning agent by a proportion of 1%. Warning: Use only the cleaning agent supplied by the manufacturer or their after-sales service.

Keep the appliance safe and store them carefully in a secure dry place. Always store the machine out of the reach of children.

Avoid storing the washer in temperatures below frost point.

Cut off the power if the appliance malfunctions.

PROBLEM AND SOLUTION

Warning! Disconnect from the electrical power supply before carrying out user maintenance. If the mains cable is damaged it must be replaced by the manufacturer, or its service agent or similarly qualified person to avoid a hazard.

Possible problem and solution

Problem	Probable cause	Possible solution
The machine will not start working.	<ol style="list-style-type: none"> 1. no power supply 2. faulty power supply. 3. locking ring of the pump too tight. 	<ol style="list-style-type: none"> 1. contact the after-sales service
No enough water coming out, uneven working pressure	<ol style="list-style-type: none"> 1. the filter is blocked 2. inlet connection is not good, air in inlet pipe. 3. the valve is blocked 4. the outlet nozzle is not smooth. 	<ol style="list-style-type: none"> 1. Clean the filter. 2. check the connection, tighten the seal. Check whether the hose is clogged or whether there is not enough inlet water. 3. clean the valve and install it again 4. contact the after-sales service
Water leaking from the pump.	3 drops water every minute is permissible, but if more water leaked, may be the Sealing is worn out.	<ol style="list-style-type: none"> 1. contact the after-sales service
The motor stops suddenly.	<ol style="list-style-type: none"> 1. The pressure control worked. 2. The thermal protection may have switched the motor off to prevent overheating. 	<ol style="list-style-type: none"> 1. Check if the outlet nozzle is blocked. Clean the nozzle 2. Turn off the cleaner, Leave the machine for a few minutes to cool down. 3. contact the after-sales service

INSPECTION & MAINTENANCE

For safety use, make sure a three-month clean the appliance .Before working, make sure inspect the filter and the nozzle, make sure there is no impurity. After working, make sure there is no water in the pump and the hose.

If the product needs to be repaired in the guarantee period, please return the product to the shop. You need to provide the certificate of purchase in order to repair or get the substitute.

Before Packaging, The appliance should be cleaned, then use closed packaging, packaging should be firm. Store the appliance in dry.

For transportation safety, the appliance should comply with ISTA .



Meaning of crossed –out wheeled dustbin:

Do not dispose of electrical appliances as unsorted municipal waste, use separate collection facilities.

